



## Economical One-Piece Threaded End Ball valve

**Model: ED-111R**

Rating: 1000 CWP



### Design feature:

- Applications for Hydraulic, Chemical, Steam, Oil/ Gas, Oxygen, Vacuum.
- One-piece body retainer screw in design, no leakage paths through the body provide maximum safety.
- Thrust washer prevents galling, reduces torque and provides secondary stem seal.
- Long cycle life, Low uniform torques.
- Adjustable stem packing.
- Protective metal washer for packing rings.
- Double D Stem Head Design Provides Mounting Of The Lever.
- Bottom Entry Blow-Out Proof Stem design Provides Maximum Safety.
- Lock device is available.
- Wing handle & Oval handle is option.
- Investment cast body construction.
- DIN EN10204-3.1 Certificate Available

### Specifications:

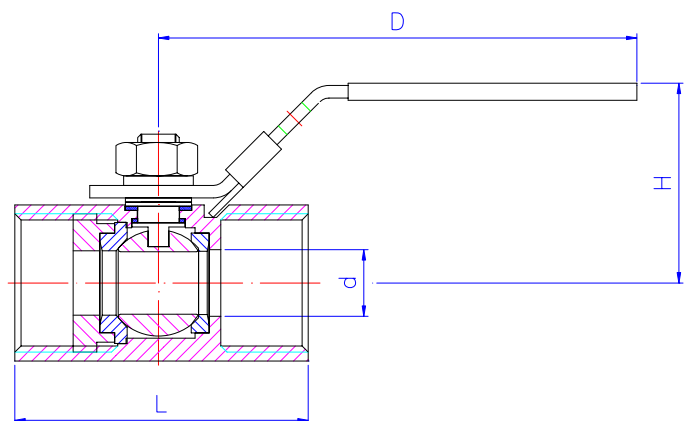
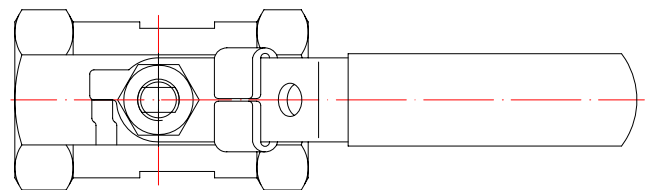
- Construction: One-piece retainer screw in End-entry floating ball design.
- Flow bore: Reduced port.
- Rating: 1000 PSI; 150 PSI Saturated Steam.
- Temperature: -20°F ~ 400°F (PTFE/ R.PTFE)
- Materials: ASTM CF8M,CF8, WCB
- Size range: 1/4"~2".

### Standard:

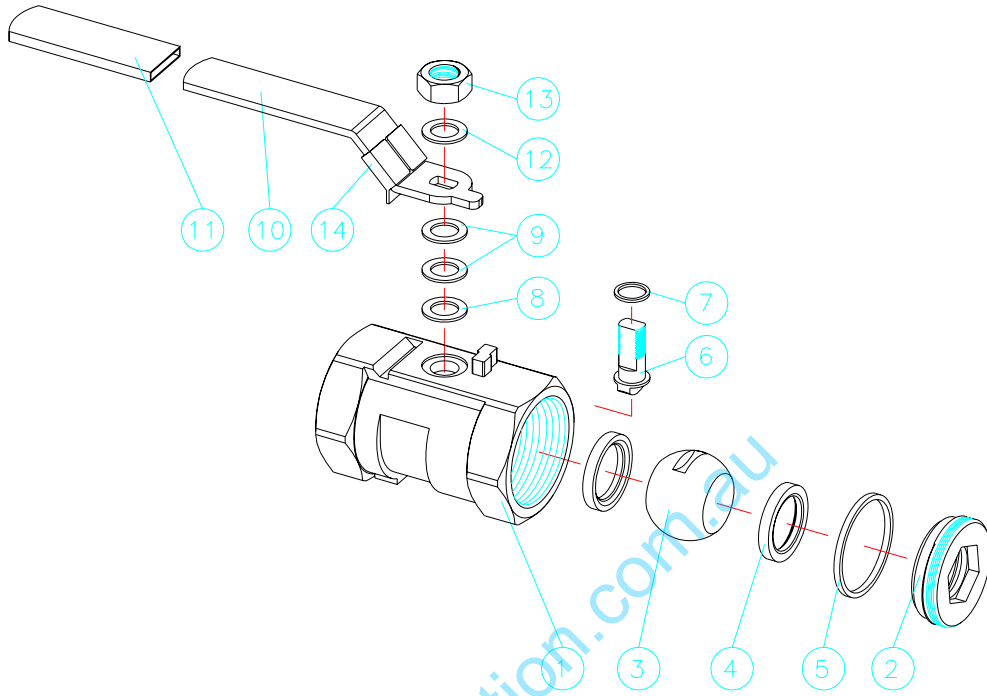
- Female pipe Threaded to NPT, DIN 259/2999, BS21..
- Inspection & testing according to API 598.
- PED 97/23/EC; ISO 9001

### Dimensions List

Size	d	L	D	H	W(kg)	Cv
1/4"	5	39	70	26.5	0.07	2.5
3/8"	7	44	80	29	0.12	4.5
1/2"	9.2	56.5	92	41	0.2	7
3/4"	12.5	59.7	92	45	0.29	9
1"	16	71	110	55	0.43	16
1-1/4"	20	78	104	52.7	0.71	24
1-1/2"	24.5	83	138	71	0.84	37
2"	32	100	138	77.4	1.35	68



PTFE/R.PTFE Ball SEAT Pressure-Temperature RATING



**MATERIALS LIST:**

NO	PART NAME	MATERIAL	NO	PART NAME	MATERIAL
1	BODY	CF8M/ CF8/ WCB	8	STEM PACKING	PTFE
2	RETAINER	CF8M/ CF8/ CF8	9	GLAND RING	SS304
3	SOLID BALL	CF8M	10	HANDLE	SS304
4	BALL SEAT	PTFE	11	HANDLE SLEEVE	VINYL
5	BODY SEAL	PTFE	12	WASHER	SS304
6	STEM	SS316	13	HANDLE NUT	SS304
7	THRUST WASHER	PTFE	14	LOCKING DEVICE	SS304